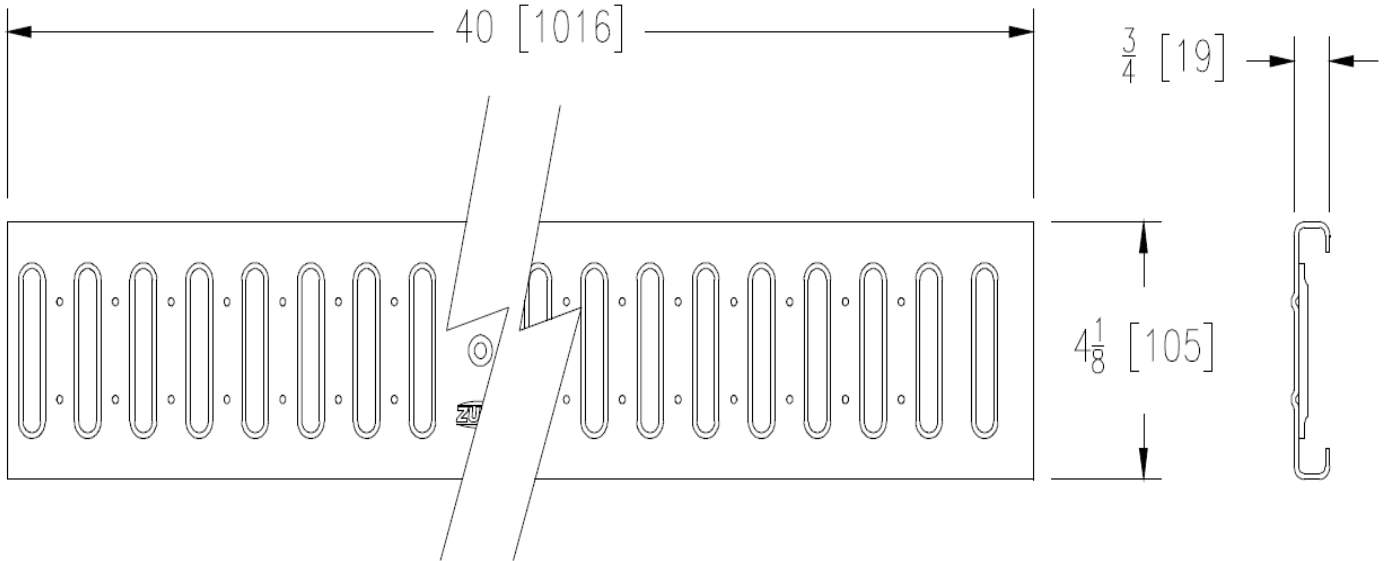


<b>Number</b>  <b>62294</b>	<b>Series</b>  <b>Z884-FG</b> A Class Slotted Galvanized Steel Grate
-----------------------------------	---



**Specification**

The Zurn Z884-FG Fabricated Galvanized Slotted Grate is 4-1/8+wide x 40+long weighing 1.8 lbs. per linear foot. The grate has an open area of 10.2 square inches per linear foot, DIN rating of Class A, ANSI rating Light-Duty. Supplied by Trench Drain Supply.

<b>FG - Fabricated Galvanized Steel Slotted Grate</b>	
Material:	Galvanized Steel
DIN Rating:	Class A
Weight:	1.8 lbs/ft.
Open Area:	10.2 in <sup>2</sup> /ft.
ANSI Rating:	Light-Duty
Application:	Pedestrian
Slot Width/Hole Size:	0.375"
ADA:	No
H-20:	No
FAA:	No

**Manufacturer**



DISCLAIMER - The customer and the customer's architects, engineers, consultants, and other professionals are completely responsible for the selection installation and maintenance of any product purchased from Trench Drain Supply and/or its manufacturers. TRENCH DRAIN SUPPLY MAKES NO WARRANTY, EXPRESS OR IMPLIED, AS TO THE SUITABILITY, DESIGN, MERCHANTABILITY, OR FITNESS OF THE PRODUCT FOR CUSTOMERS APPLICATION. The drawing and information provided remain the property and copyright of the manufacturer listed. The manufacturer reserves the right to modify specification without notice.